

Chartered Financial Analyst (CFA)

Helping shape your future



Contents



04

Welcome to PwC's Academy



06

About the CFA



08

Getting qualified



14

Our training programme



16

Why choose PwC's Academy



18

Our trainers



20

Contact US

About PwC's Academy

Leading change through the development of human capital



We work with students and educational institutes across the region to develop the next generation of professionals.

We help them grow and develop their talent by providing training programmes that build mindset knowledge and skills.

Who we are

We are the learning and education business of PwC operating across the Middle East and are part of a growing network of PwC Academies present in over 35 countries worldwide. We have been developing our own people for over 100 years and it is this deep experience of helping professionals become business leaders that is embedded into all PwC's Academy programmes. We are different because we use both subject matter experts within the PwC network and dedicated Academy staff, each of whom bring their wealth of knowledge and practical experience.

What we do

We offer a variety of training courses, based on the best practices of PwC's global network of firms and the individual experiences of our experts. We constantly adapt our courses to meet the needs of modern business, customising them to our students requirements and assisting our students in reaching their organisational training and strategic objectives. We deliver learning that blends classroom training with innovative tools including the latest educational technologies, so that learning is relevant, sustainable and fun.

How we do it

We believe in the development of talent through building on what people know, how they think and what they can do – not as separate components but as an integrated process to create impact and deliver change. We design our programmes to deliver the knowledge, mindset and skills needed to solve today's important problems and predict, prevent and manage tomorrow's.



“

The CFA classes have given me an in-depth understanding of the focus areas relevant to the CFA exam. The friendly and approachable instructors made learning more conducive and interactive.

Having a classroom-based learning experience did not only enhance interaction but also made the classes more interesting.

.....
Cydney Nash



About the CFA

The CFA Charter is an investment credential that, for more than 60 years, has been the global standard for embodying the integrity, dedication and advanced skills needed to build a stronger, more accountable financial industry. The CFA is one of the world's most highly respected and challenging credential in the finance and investment industry.

CFA charterholders are unique in that they have:

- Globally relevant knowledge
- Real-world expertise
- Ethical grounding
- The ability to earn industry respect
- A global community
- Membership of the CFA institute

The CFA designation is a mark of distinction that is globally recognised by employers as well as a host of other organisations including over 125 distinguished universities and colleges and regulatory bodies across the world.

Earning the CFA charter demonstrates a mastery of the analytic and decision making skills needed in today's fast paced and competitive work environment.

There are more than 170,000 CFA charterholders worldwide in 165+ countries and regions. CFA Institute has eight offices worldwide and there are 151 local member societies.



170,000

CFA charterholders



165+

Countries and regions



151

Local member societies

Getting qualified



To become a CFA charterholder, you must meet the eligibility requirements which include passing three exams, Levels I, II and III, and accumulating 48 months of approved work experience.

The CFA exams vary in their format and structure.

- All exams are conducted online and each exam is six hours long
- Level I can be taken in February, May, August and November
- Level II can be taken in May and August
- Level III can be taken in May and November
- The CFA Institute Board of Governors sets the minimum passing score for each level every year.

For more information about the CFA credential, please visit www.cfainstitute.org

Minimum entry requirements

To become a CFA charterholder, you must meet at least one of the following criteria:

- Hold a Bachelor's (or equivalent) degree
- Be in the final year of your Bachelor's degree programme
- Have four years of qualified, professional work experience
- Have a combination of work and college experience that totals at least four years (Note: summer, part-time, and internship positions do not qualify as work experience)

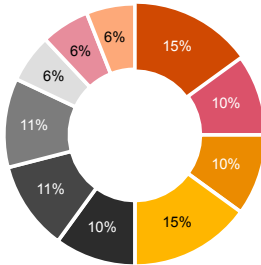
How long does it take?

How you study for your CFA exam is very flexible and you can progress at your own pace. Successful candidates may complete the programme in two to four years. We recommend for each of the three exams, that you plan on at least six months of preparation to help you get the best results.



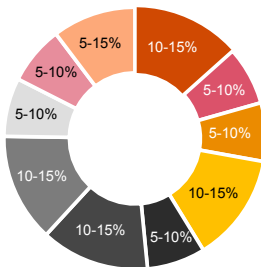
Levels and Exam Formats

Level I - 240 multiple choice questions



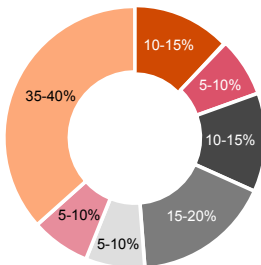
- Ethical and professional standards
- Quantitative method
- Economics
- Financial reporting and analysis
- Corporate Finance
- Equity investments
- Fixed income
- Derivatives
- Alternative investment
- Portfolio management and wealth planning

Level II - 20 item sets of 6 multiple choice questions each



- Ethical and professional standards
- Quantitative method
- Economics
- Financial reporting and analysis
- Corporate Finance
- Equity investments
- Fixed income
- Derivatives
- Alternative investment
- Portfolio management and wealth planning

Level III - Essay style questions and 10 item sets

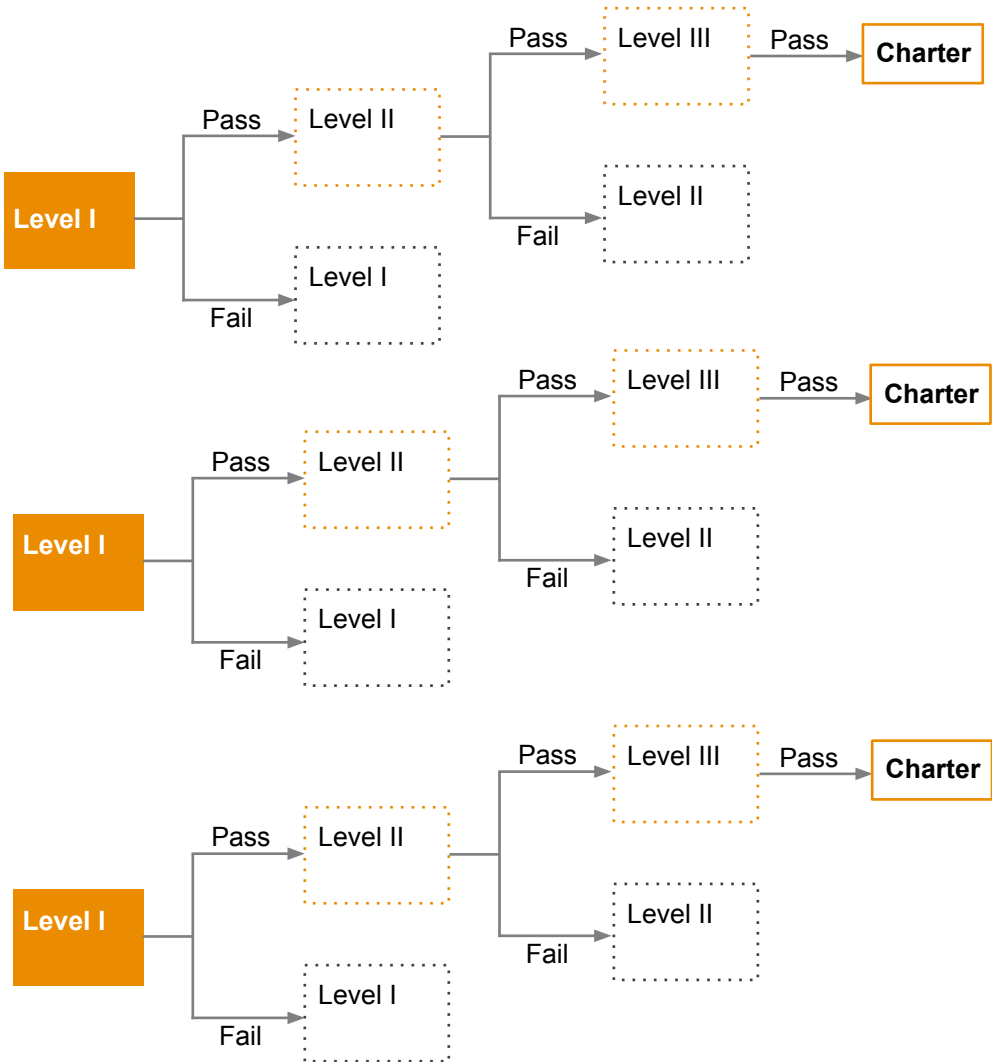


- Ethical and professional standards
- Quantitative method
- Equity investments
- Fixed income
- Derivatives
- Alternative investment
- Portfolio management and wealth planning

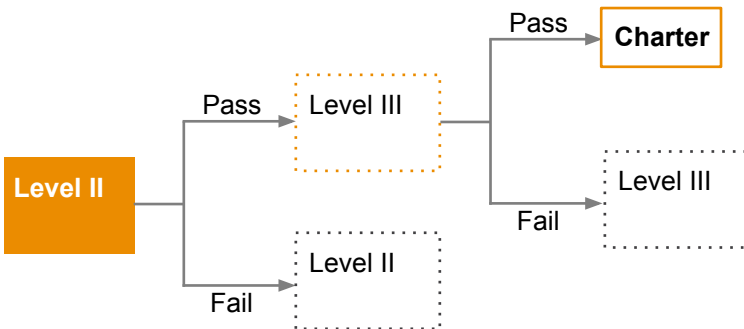
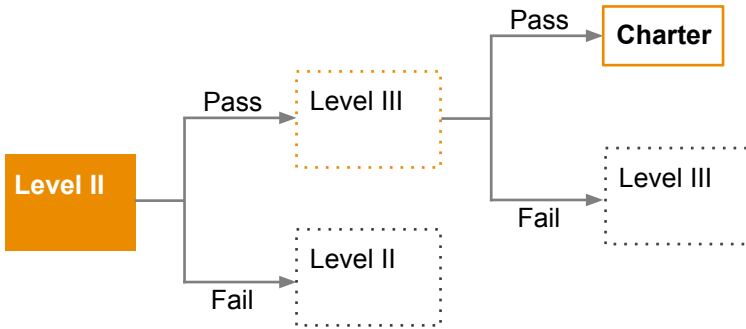
*Actual exam weights may vary slightly from year to year.

Getting qualified

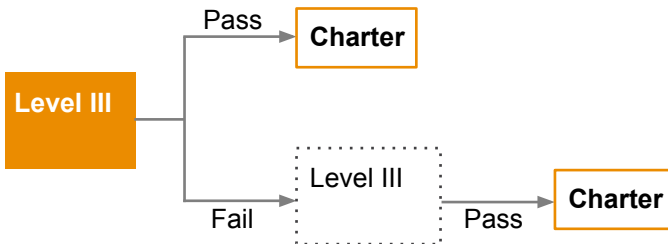
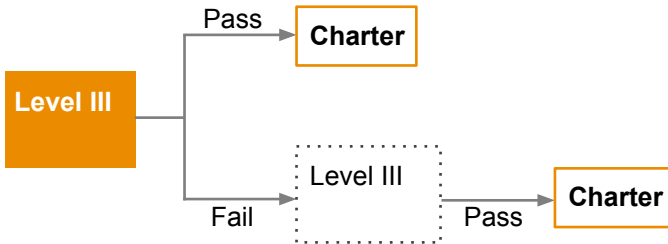
Exam structure



CFA Level II exam structure



CFA Level III exam structure





Our training programme



Our CFA training programme prepares you for Levels I, II and III through a Comprehensive Preparation Series followed by an intensive Revision Boot Camp Programme.



Tuition

Our tuition programme comprises of a series of lectures and is made up of over 100 hours of classroom learning using a range of methodologies. The lectures include: Comprehensive study materials, access to over 2000 questions in the form of practice modules, mock exam, a question bank and access to over 60 hours of lecture video covering each of the core topics.



Revision

We conduct a 7 day intensive revision boot camp programme. This includes: Over 55 hours of classroom based revision classes, provision of self-study modules to use in addition to teaching material, access to over 750 exam questions to solve in class, feedback and one hard copy mock exam.



Distance learning programme

We offer comprehensive study materials access to over 60 hours lecture videos covering each of the core topics. We also provide access to over 2000 questions covering all 10 topics of the exam, 4 progress tests through the curriculum and 5 days intensive revision in Dubai.



Complementary workshops

We offer exclusive business skills workshops to CFA students for hands-on experience which enables them to apply the skills they learn in the classroom at work. These workshops include topics such as: Corporate ration analysis and modelling a capital budget and risk using Excel.



Support courses

We offer a series of unique, exciting and interactive support courses that will enhance your CFA preparation and assist you in your exams. These courses help you to learn skills, tips and techniques for better time management, overcoming exam nervousness, generating quality content, studying SMART and more.



One-on-one doubt clearing sessions

We provide one-on-one doubt clearing sessions. This is your opportunity to discuss topics you find challenging or any questions you might have.

Why choose PwC's Academy



Ensuring you pass!

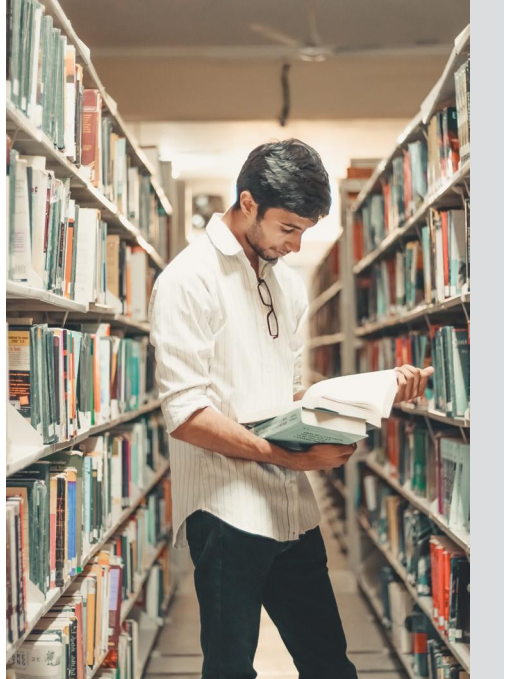
At PwC's Academy our focus is to make sure you have all the knowledge and exam techniques you need to achieve your CFA Charter. Our core objective is to help you pass all three exam levels and our ability to do this is demonstrated by our exceptional pass rates.

Our programmes are designed to help you understand every learning outcome statement included in the CFA curriculum so that you get the maximum marks.

We provide you with the very best course materials written especially for PwC students in addition to study texts,

question banks and online resources. Our course materials are designed to help the learning process: graphic-rich slides and exam-style question banks complement our lecturers' lively presentations.

A progress test every few weeks ensures that you stay up to speed, in addition to a full mock exam after the revision course.



“

PwC's Academy made my journey towards a CFA charter a smooth and easy one.

PwC's Academy has a highly dedicated and professional faculty especially the lead lecturer, Taimur Mir, who made the classes enjoyable and interesting. Their approach is exam oriented and you will feel well equipped with all the necessary tools required to pass the exams.

.....
Sumeet R. Basantani



Our lecturers

At PwC's Academy, our foundation is our fantastic team of lecturers, all of whom are not only CFA charterholders but have extensive experience teaching CFA. All our lecturers are experts in the subjects they teach and understand the exam requirements so that they are able to help you get the best results. Our lecturers are always close by so you don't have to wait until class to ask questions and get your problems solved.



Going the extra mile

We want your time studying with us to be a positive and happy experience and so we provide a range of services that help you to get the most out of your time with us.

- Mentoring and guidance from the CFA course manager
- Programme advisors to help with registrations and to guide you throughout your studies
- Student counselling and career guidance
- Full time lecturers available to help and support you
- Student visas for international students
- Sessions on exam tips and strategies
- Consistently high pass rates
- In-house full time trainers
- One-on-one doubt clearing sessions
- Delivery of classes across all three levels in Dubai and Abu Dhabi

Our trainers



Taimur Ali, CFA, ACCA

Taimur is the Director of professional qualifications, UAE. He brings with him, extensive experience in finance and accounting training in the Middle East region, spanning over a decade. Taimur has led human capital enabling projects for the Academy in the region and has worked closely with government entities to identify and fill skill gaps in the workforce. He has designed and delivered customised financial training programmes for leading clients in the region.



Fareeha Hussain, CFA

Fareeha is a professional qualifications trainer at PwC's Academy specialising in investment, corporate finance, portfolio and treasury management. In her career spanning two decades, she has trained candidates from diverse academic and regional backgrounds. Her ability to influence and build trust with students, her intensive problem solving skills and her approach to simplify difficult concepts has resulted in consistently high pass rates.



Vishal Iyer, CFA, CMA

Vishal is a senior trainer at PwC's Academy specialising in portfolio management, financial valuation, risk management, treasury and cash flow management. He has proven himself an adept trainer by designing and delivering trainings for over 3,000+ candidates through open programs and inhouse courses across India and GCC. He possess an innate ability to simplify the most complex information while creating a conducive learning environment. For his excellence in teaching, Vishal won a global award in the outstanding faculty category in 2018



Hassan Abdulla, CFA

Hassan is a senior professional qualification trainer at PwC's Academy. He has over 7 years of experience in teaching and has been extensively involved in the delivery of qualifications such as CFA, ACCA, CMA and corporate trainings to various clients in the region. He has expertise in identifying, selecting and modifying instructional resources to meet students' needs with varying backgrounds, learning styles and special needs.



Ashutosh Pradhan, CFA

Ashutosh Pradhan is wealth management and finance trainer at PwC's Academy with a career spanning more than two decades. He has served reputed MNCs in Consumer goods, Telecom sectors and Financial services in Business Development roles in India and Middle East. He has been a wealth management professional since 2003, and has served in varied roles as Specialist Trainer, Investment Advisor and wealth management product specialist.



Marwan Chbaklo, CFA

Marwan Chbaklo is a senior finance trainer at PwC's Academy. He has designed and delivered several in-house corporate trainings in the Middle East including major qualifications like CFA, FRM, and CMA. He is also a guest lecturer at several renowned universities in Lebanon. He worked for the IFA between 2006 and 2015 as a lecturer covering CFA (all 3 levels) and FRM along financial modeling. His core expertise include Corporate Finance, Mergers and Acquisitions, Security Analysis, Private Banking, Managerial Economics, Derivatives, Advanced Accounting, Senior finance, Equity Valuation and financial modeling.

Contact us



Taimur Ali Mir

Director – Professional Qualifications

T: +971 (0)4 304 3781

E: mir.taimur@pwc.com



Amna Salim

Manager – Client Relations

T: +971 (0) 4 515 7495

E: amna.salim@pwc.com

Follow us



PwC's Academy Middle East



Pwc_academy_me



PwC's Academy Middle East



@PwCAcademy

pwcademy-me.com

This content is for general information purposes only, and should not be used as a substitute for consultation with professional advisors.
© 2022 PricewaterhouseCoopers LLP. All rights reserved. PwC refers to the UK member firm, and may sometimes refer to the PwC network. Each member firm is a separate legal entity. Please see www.pwc.com/structure for further details.

All images/graphics are subject to copyright of their individual owners and are used for illustration purposes only. 190519-140622-ND-05